




I.L. MOTORSPORT

Instalation Instruction


Central Door Lock

NA0-6510A


Look:

Press  on the remote controller once with the direction light flash once, and then the central control door lock will be locked. 30 sounds positive (-) output for window roll-up.


Unlook:

Press  on the remote controller once with the direction light flash twice, and then the central control door lock will be unlocked.

Trunk release:

Long press  for 2,5 seconds, the direction light will flash three times and trunk release simultaneously.

Car finder:

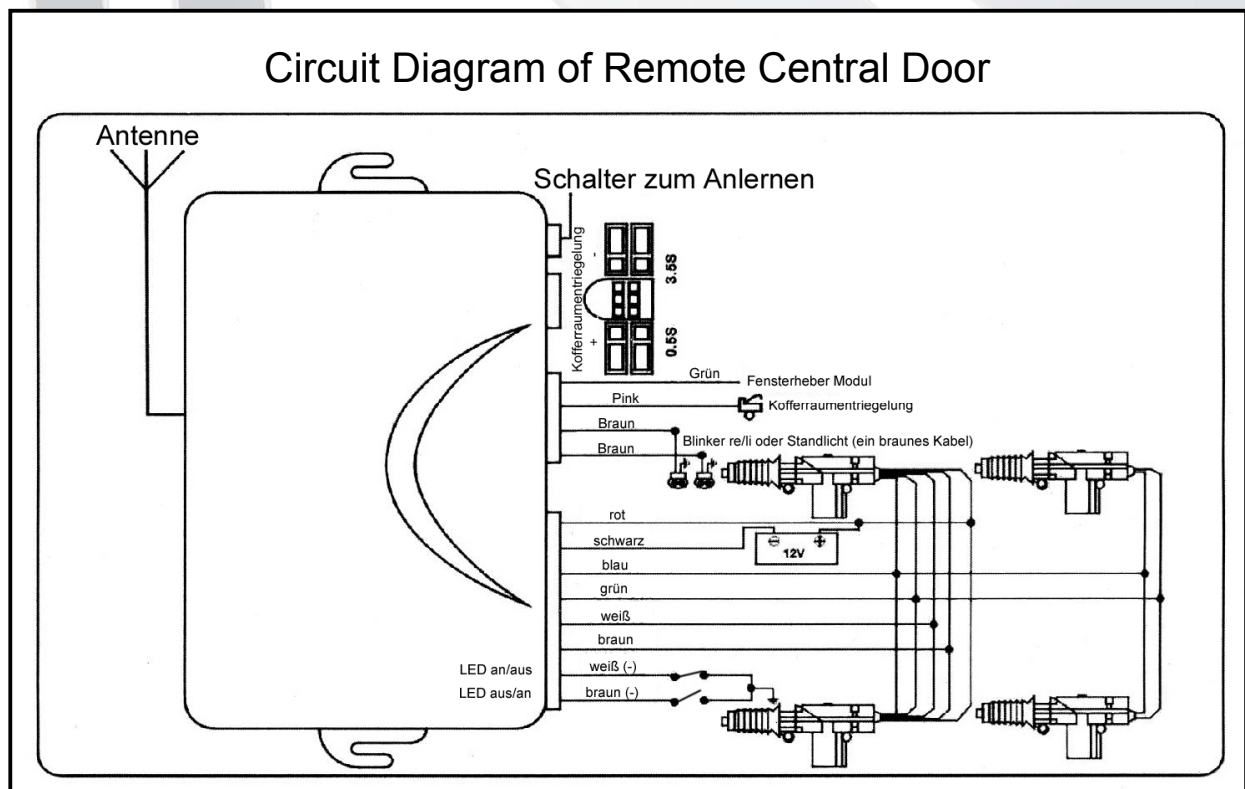
In arming, press  once, direction light flash three times, for finding the car.

Pneumatic look / electric look, positive / negative trunk can be selected just like diagram display

Learning way:

Press learning button of keyless entry, direction light is on constantly, during 10 seconds, press any key on the remote controller, direction is off, it indicates that learning is successful.

Circuit Diagram of Remote Central Door





I.L. MOTORSPORT

Instalation Instruction

Central Door Lock

NA0-6510A

Instruction step

Find a proper position in the car for sticking double adhesive tape when tear off protective cover of tape.

Connect hairness wire to main unit and fasten to the adhesive tape and pull the antenna vertically.

Connect to power wire when packing main unit well and then test function of keyless entry by remote controller.

Trouble shooting

Press remote and can not work when connect to power.

Connect wire wrongly or not;
Fuse power wire is burnt out or not
Indicator of remote is on or not.

Remote distance is to short

Check antenna if it is vertical;
Indicator of remote is enough light;
Main unit is near to high voltage wire coil.

Press look key of remote main unit is unlook status.
Look wire and unlook wire of main unit contrary.

Is the function open and close to Exchange
are the wires on the motors to swap.
Blue to green and green to blue
as well as the cable
Brown on white and white on Brown



I.L. MOTORSPORT

Installation Instruction

Central Door Lock

NA0-6510A

Installation of the locking actuators

The fastening plates included are riveted in the door clips.

